

NOTE: ALL DIMENSIONS ARE IN INCHES.

MATERIALS OF CONSTRUCTION:

BASE ELBOW: CAST DUCTILE IRON

LIFT-OUT FLANGE: CAST BRASS

LOWER GUIDE BRACKET: CAST BRASS

ALL FASTENERS ARE 304 SERIES SST

USEABLE GUIDE RAIL SIZES:  $\frac{3}{4}$ " , 1" ,  $1\frac{1}{4}$ "

SPHERICAL SOLIDS SIZE: 3" Diameter.

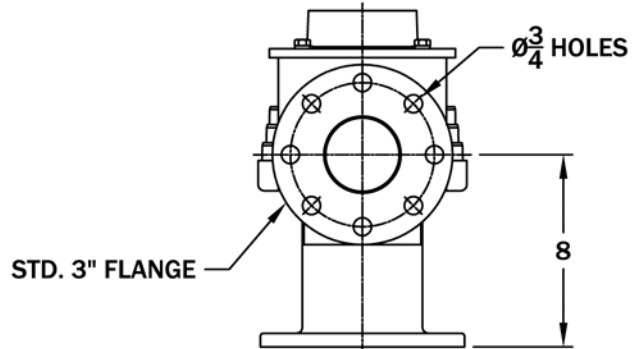
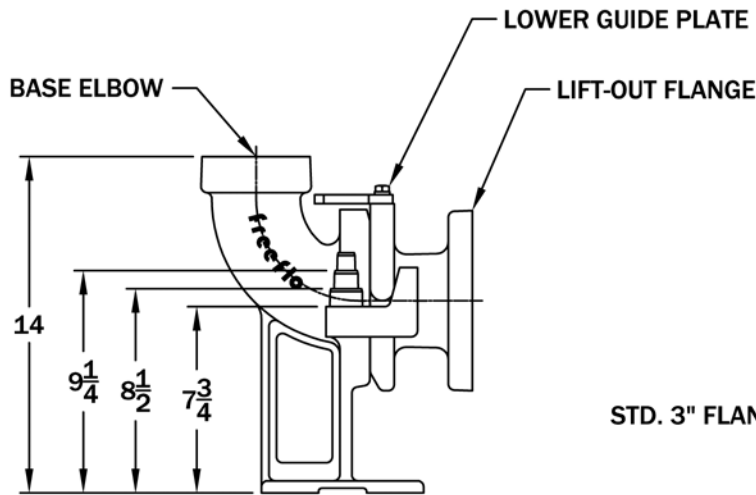
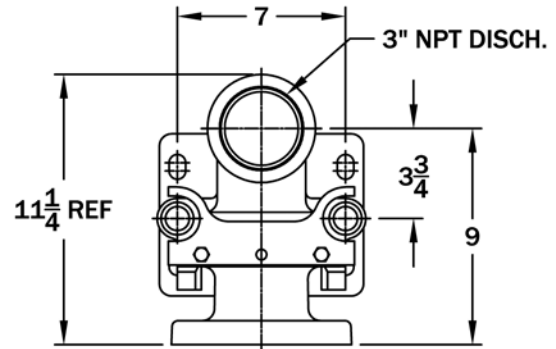
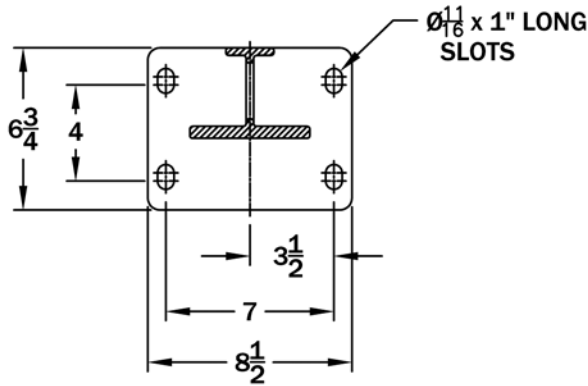
MAXIMUM WEIGHT ALLOWANCE: 400lbs.

SR-XP3

PAGE

1

MOUNTING DIMENSIONS



INFORMATION CONTAINED IN THIS DRAWING USED WITH PERMISSION BY ORIGINAL AUTHORS.



CHANGES	TOLERANCES	DRAWN BY	DATE	SPECIFICATION SHEET DIMENSIONAL DATA	
F	DECIMALS .XXX = ±.005 .XX = ±.010 FRACTIONAL X/X = ±.1/64 ANGLES X° = ±1/2°	D. MIDDLETON	07/15/04	SCALE:	PART NO.
E		MATERIAL SPECIFICATION:  AS NOTED		1/8	SR-XP3
D					
C					
B					
A					