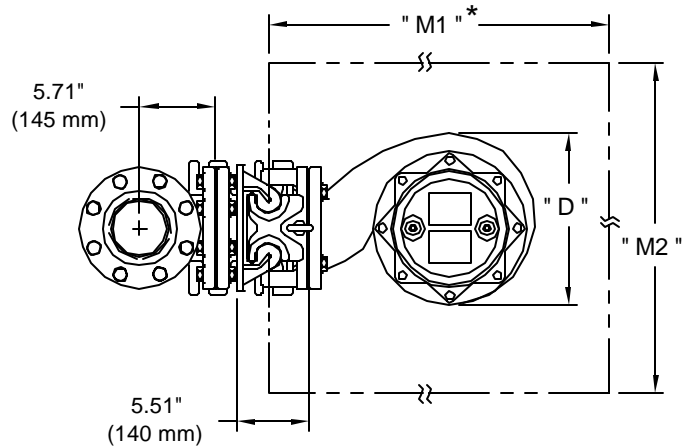




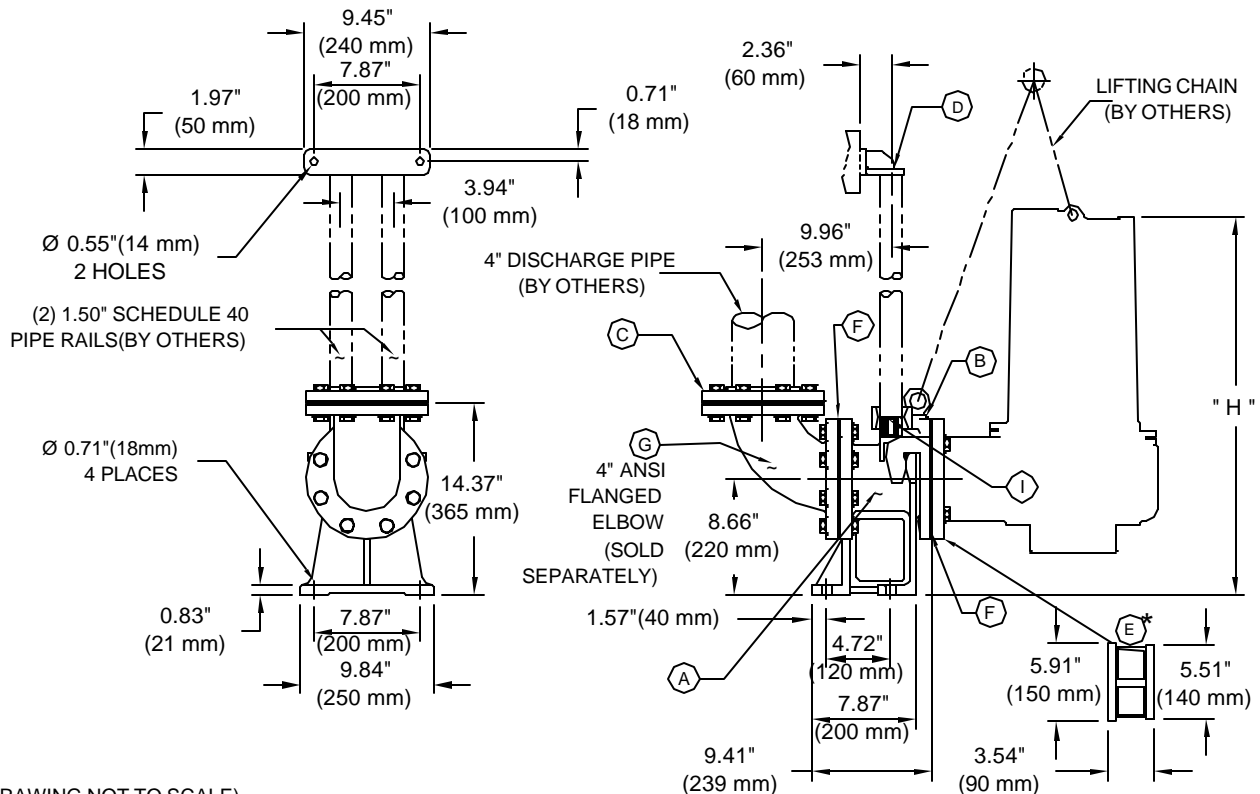
4" DISCHARGE SLIDE RAIL SYSTEM DIMENSIONAL DRAWING

SR100-ANSI CAST IRON (4" DISCHARGE)
SRX100SS-ANSI 316 CAST STAINLESS (4" DISCHARGE)

PUMP	H	D	M1*	M2	ADD KIT NEEDED
S & SK750C-3"	25.51" 648 mm	7.68" 195 mm	21.65" 550 mm	17.72" 450 mm	E*
S & SK08C-3"	23.15" 588 mm	7.68" 195 mm	21.65" 550 mm	17.72" 450 mm	E*
S & SK1500C	24.92" 633 mm	9.45" 240 mm	21.65" 550 mm	17.72" 450 mm	E*
S & SK15C	23.54" 598 mm	9.45" 240 mm	21.65" 550 mm	17.72" 450 mm	E*
S & SK22C	23.94" 608 mm	9.84" 250 mm	23.62" 600 mm	17.72" 450 mm	E*
S & SK37C	25.51" 648 mm	9.84" 250 mm	23.62" 600 mm	17.72" 450 mm	E*
S55C	27.68" 703 mm	10.63" 270 mm	29.53" 750 mm	23.62" 600 mm	
S75C	32.01" 813 mm	10.63" 270 mm	29.53" 750 mm	23.62" 600 mm	
SK55C	27.09" 688 mm	16.54" 420 mm	29.53" 750 mm	23.62" 600 mm	
SK75C	29.06" 738 mm	16.54" 420 mm	29.53" 750 mm	23.62" 600 mm	
J55C	26.97" 685 mm	10.63" 270 mm	29.53" 750 mm	23.62" 600 mm	
J75C	27.17" 690 mm	10.63" 270 mm	29.53" 750 mm	23.62" 600 mm	
SV55	30.91" 785 mm	12.40" 315 mm	29.53" 750 mm	23.62" 600 mm	
SV75	33.11" 841 mm	12.40" 315 mm	29.53" 750 mm	23.62" 600 mm	



*NOTE: MUST ADD 3.54"(90 mm) TO DIMENSION "M1" IF ITEM "E" IS USED.



(DRAWING NOT TO SCALE)

BJM PUMPS - 123 SPENCER PLAIN ROAD, OLD SAYBROOK, CT 06475 - PHONE: 860-399-5937 - FAX: 860-399-7784

SLIDE RAIL SYSTEM MODEL SR100-ANSI CAST IRON (4")

POS#	DESCRIPTION	PART#	QTY
A	SLIDE RAIL BASE - 4"	SR100ANSIBASE	1
B	SLIDE RAIL PUMP BRACKET - 4"	SR100-1SLIDE	1
	BOLT	M05055	4
	LOCK WASHER	M00404	4
	FLAT WASHER	M00410	4
	LIFTING RING	M03428	1
C	DISCH. FLANGE - 4" NPT	SR100ANSIFLANGE	1
	BOLT	M05023	8
	NUT	M00304	8
	LOCK WASHER	M00405	8
	FLAT WASHER	M00412	8
D	UPPER RAIL BRACKET	SR100-1CLEAT	1
E	COMPLETE ADAPTER KIT (Sold Separately) (INCLUDES ALL ITEMS LISTED BELOW)	SR100ADKIT	1
E	3" x 4" ADAPTER	SR100-1ADAPTER	1
	GASKET 3" (BUNA-N)	M04072	1
	BOLT	M05043	4
	NUT	M00303	4
	LOCK WASHER	M00404	4
	FLAT WASHER	M00410	4
F	GASKET FOR SLIDE (BUNA-N)	SR100-01B	1
	GASKET FOR DISCHARGE (BUNA-N)	SR100-03B	1
G	COMPLETE ELBOW KIT (Sold Separately) (INCLUDES ALL ITEMS LISTED BELOW)	SR100ELBOW-KIT	
	DISCH. ELBOW - 4" (125 LB ANSI FLANGE)	M03837	1
	GASKET (BUNA-N)	SR100-03B	1
	BOLT	M05023	4
	NUT	M00304	4
	LOCK WASHER	M00405	4
	FLAT WASHER	M00412	4
I	SLIDE RAIL PEG (M10 X 35 BOLT & 10MM LOCK WASHER)	SR100PEG	2

Note: BJM recommends that Viton elastomers be used on slide rails when installed in High Temperature applications

SLIDE RAIL SYSTEM MODEL SRX100SS-ANSI 316 CAST STAINLESS (4")

POS#	DESCRIPTION	PART#	QTY
A	SLIDE RAIL BASE - 4"	SRX100SSANSIBASE	1
B	SLIDE RAIL PUMP BRACKET - 4"	SRX100SS-1SLIDE	1
	BOLT	M05055	4
	LOCK WASHER	M00404	4
	FLAT WASHER	M00410	4
	LIFTING RING	M03428X	1
C	DISCH. FLANGE - 4" NPT	SRX100SSANSIFLANGE	1
	BOLT	M05023	8
	NUT	M00304	8
	LOCK WASHER	M00405	8
	FLAT WASHER	M00412	8
D	UPPER RAIL BRACKET	SRX100SS-1CLEAT	1
E	COMPLETE ADAPTER KIT (Sold Separately) (INCLUDES ALL ITEMS LISTED BELOW)	SRX100SSADKIT	1
E	3" x 4" ADAPTER	SRX100SS-1ADAPTER	1
	GASKET 3" (VITON)	M04072V	1
	BOLT	M05043	4
	NUT	M00303	4
	LOCK WASHER	M00404	4
	FLAT WASHER	M00410	4
F	GASKET FOR SLIDE (VITON)	SR100-01V	1
	GASKET FOR DISCHARGE (VITON)	SR100-03V	1
G	COMPLETE ELBOW KIT (Sold Separately) (INCLUDES ALL ITEMS LISTED BELOW)	SRX100SSELBOW-KIT	
	DISCH. ELBOW - 4" (125 LB ANSI FLANGE)	M03837X	1
	GASKET (VITON)	SR100-03V	1
	BOLT	M05023	4
	NUT	M00304	4
	LOCK WASHER	M00405	4
	FLAT WASHER	M00412	4
I	SLIDE RAIL PEG (M10 X 35 BOLT & 10MM LOCK WASHER)	SRX100SSPEG	2